

SCHEMATIC DIAGRAM (TUNER & OPERATION)

①, ④ and ⑤: TEST POINT WAVEFORMS (See page 24)

Each voltage given here represents that in the FM (98.1MHz, STEREO) reception mode but the one in the parentheses () is that in the AM (1080kHz, MAN'L) reception mode.

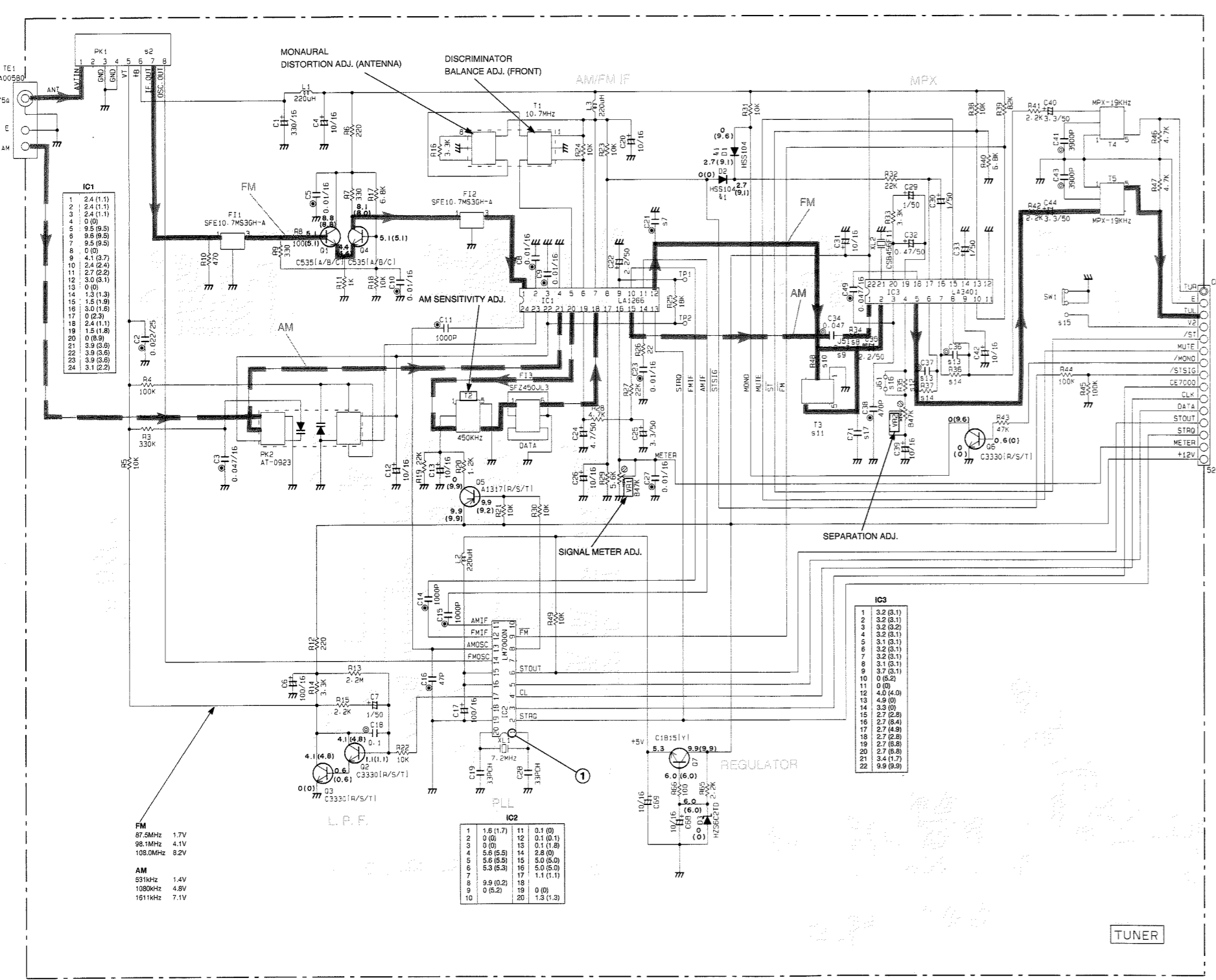
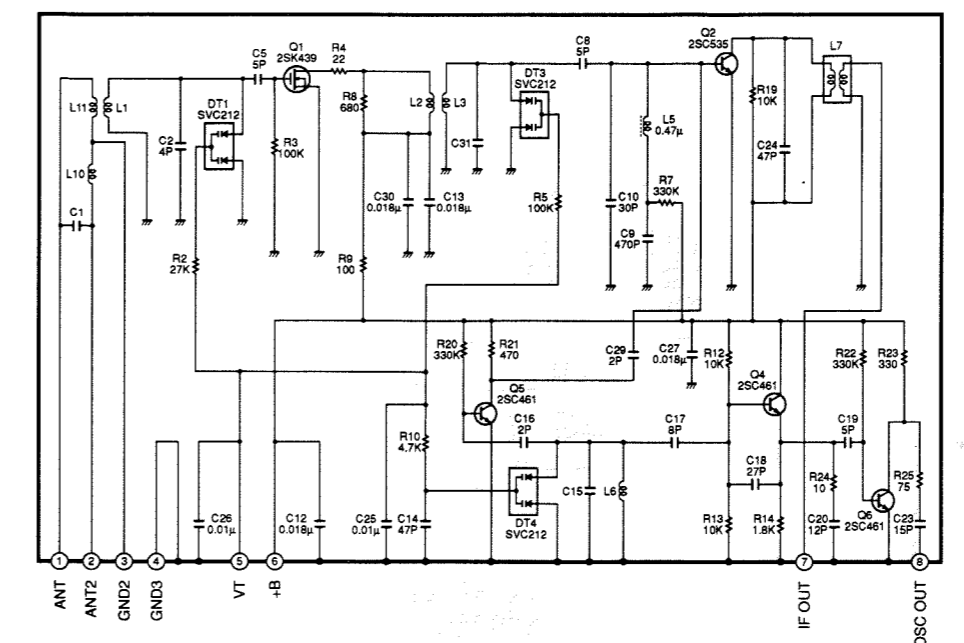


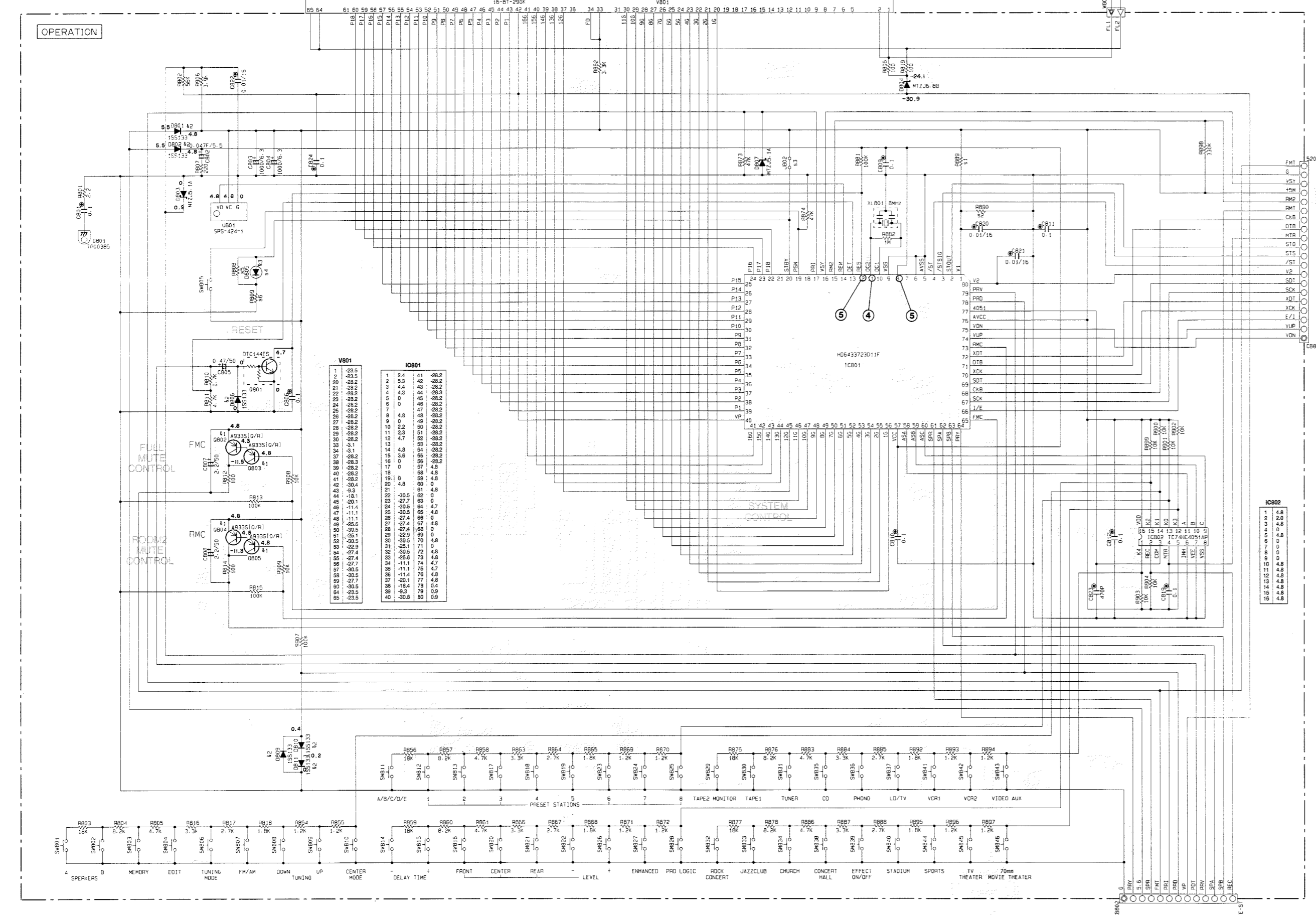
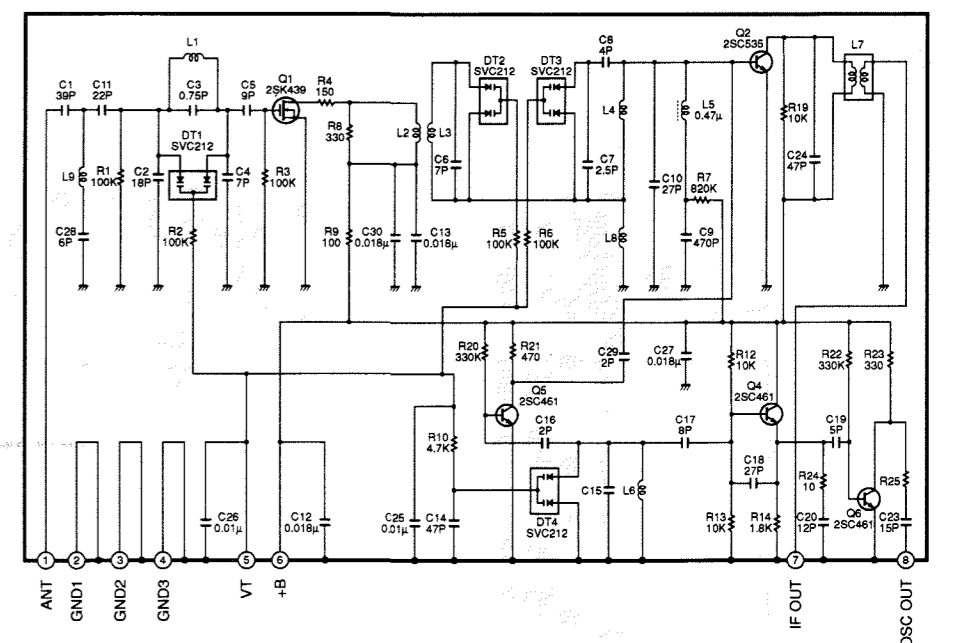
Table with 5 columns: U-C, R, A-B, S, and a list of part numbers (e.g., V92420, V92422, V92423, V92424).

Interchangeable Parts at Manufacture Stage table with columns: Name, Reference Parts Number, Parts Name.

Except G model PK1 : ENV-17298GI (VR242200)



G model PK1 : ENV-17297GI (VQ987600)



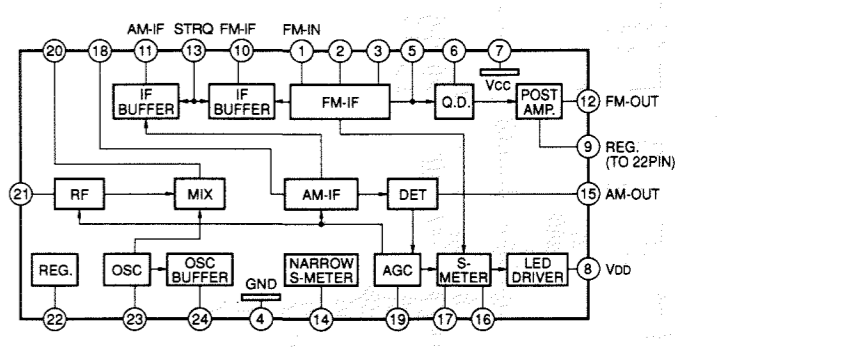
Capacitor table with columns: Remarks, Parts Name, and a list of capacitor types (e.g., NO MARK ELECTROLYTIC CAPACITOR).

Resistor table with columns: Remarks, Parts Name, and a list of resistor types (e.g., NO MARK CARBON FILM RESISTOR).

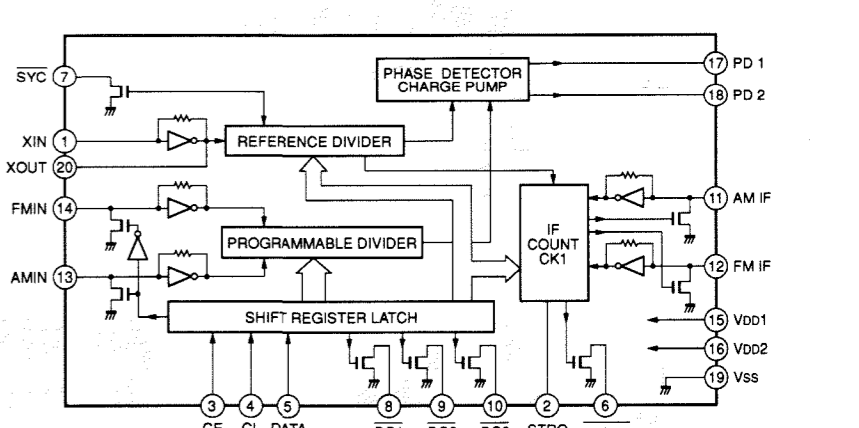
Interchangeable Parts at Manufacture Stage table for the operation section.

Capacitor table with columns: Remarks, Parts Name, and a list of capacitor types.

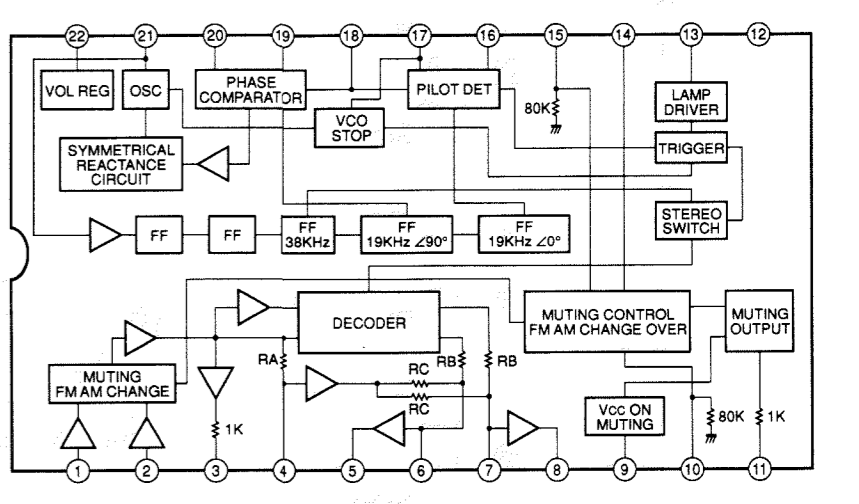
IC1 : LA1266 AM/FM IF



IC2 : LM7000N PLL Controller



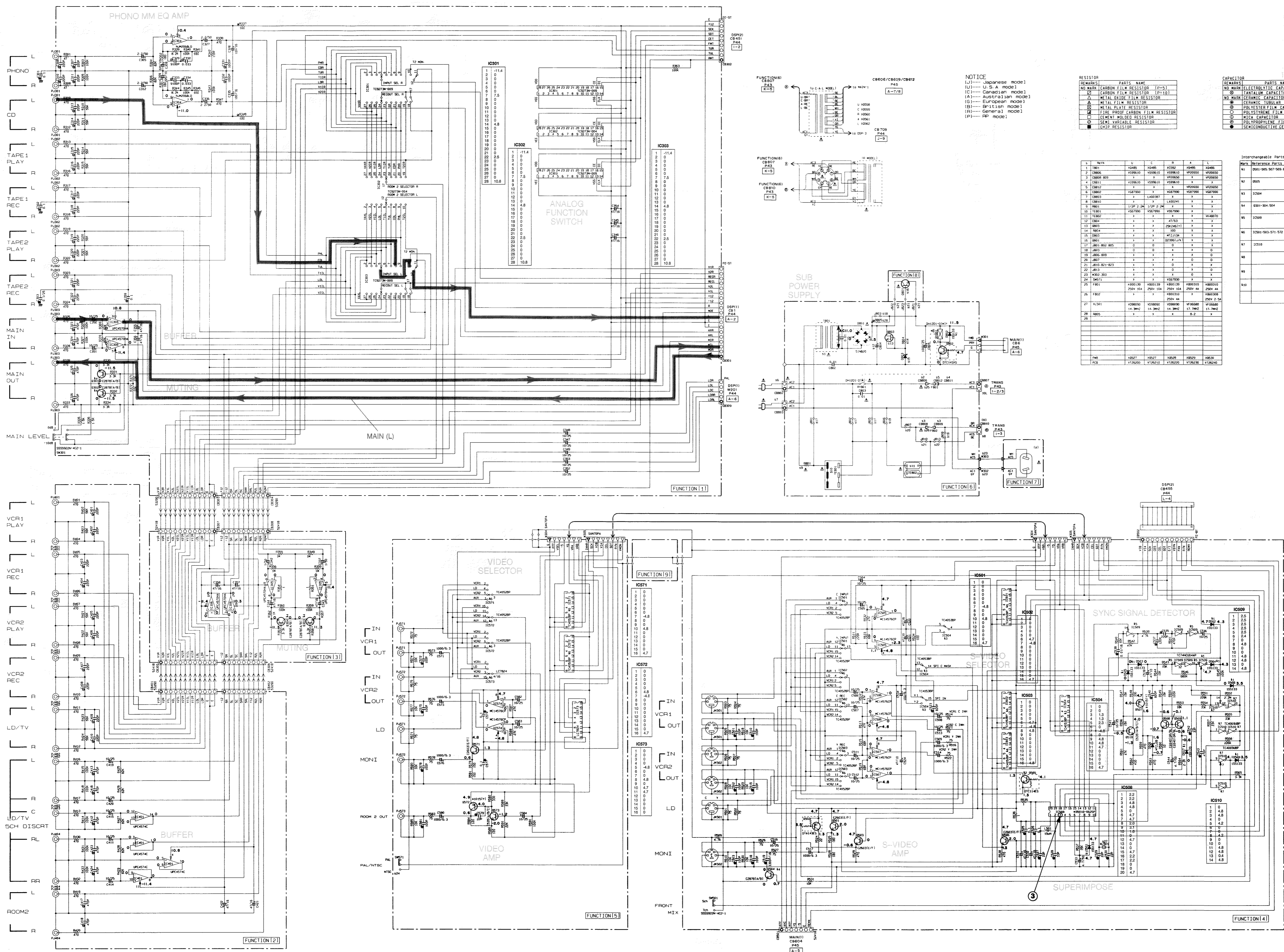
IC3 : LA3401 MPX



All voltages are measured with a 10MΩ/DC electric volt meter. Components having special characteristics are marked with a triangle and must be replaced with parts having specifications equal to those originally installed. Schematic diagram is subject to change without notice.

SCHEMATIC DIAGRAM (FUNCTION)

③ : TEST POINT WAVEFORMS (See page 24)



NOTICE
 (J)..... Japanese mode
 (U)..... U.S.A. mode
 (C)..... Canadian mode
 (A)..... Australian mode
 (G)..... European mode
 (B)..... British mode
 (E)..... General mode
 (P)..... PAL mode

RESISTOR

REMARKS	PARTS NAME
NO MARK CARBON FILM RESISTOR (P=1)	
Ω CARBON FILM RESISTOR (S=10)	
△ METAL GLAZE FILM RESISTOR	
■ METAL FILM RESISTOR	
□ METAL GLAZE RESISTOR	
○ JIBE PROOF CARBON FILM RESISTOR	
◎ CERAMT. MULTIC. RESISTOR	
◇ SEMI. VARIABLE RESISTOR	
● CHIP RESISTOR	

CAPACITOR

REMARKS	PARTS NAME
NO MARK ELECTROLYTIC CAPACITOR	
□ TANTALUM CAPACITOR	
△ NO MARK CERAMIC CAPACITOR	
■ CERAMIC UREXAL CAPACITOR	
□ POLYESTER FILM CAPACITOR	
○ POLYSTYRENE FILM CAPACITOR	
◎ MYLA CAPACITOR	
◇ POLYPROPYLENE FILM CAPACITOR	
● SEMICONDUCTIVE CERAMIC CAPACITOR	

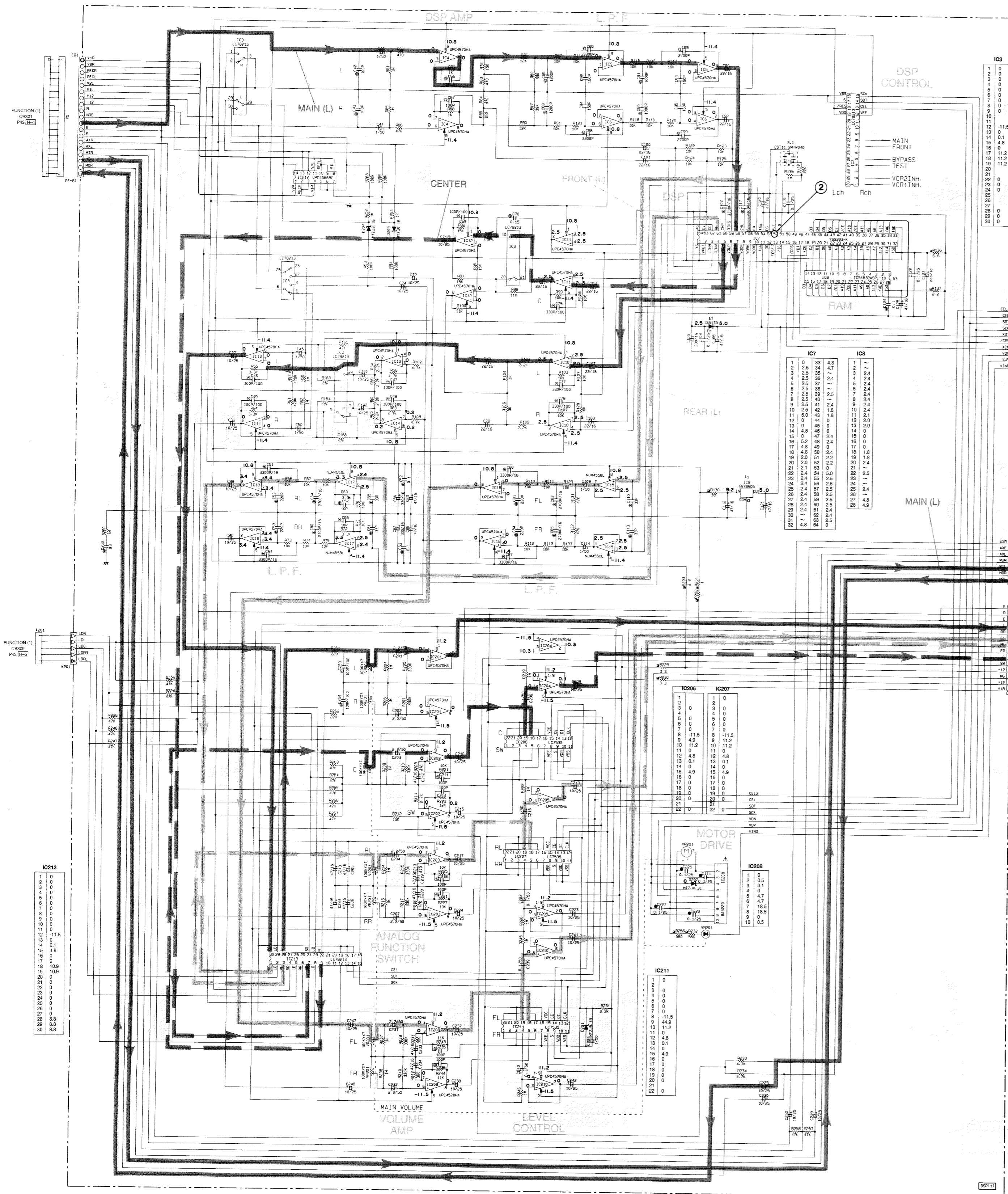
Interchangeable Parts at Manufacture-Stage

Part No.	Reference No.	Part Name
A1	0901-903-501-903-802	15B133
		15B134
A2	0905	07C1143
		0M111
A3	12504	TE4009P
		UP40053C
A4	0901-904-504	25C0761A/P1
		25D109P/S1
A5	12509	TE4040AP
		SATC3000
		MC20000M
A6	IC301-903-511-512	TE4009P
		UP40053C
A7	12510	TE4009AP
		UP40053C
A8		
A9		
A10		

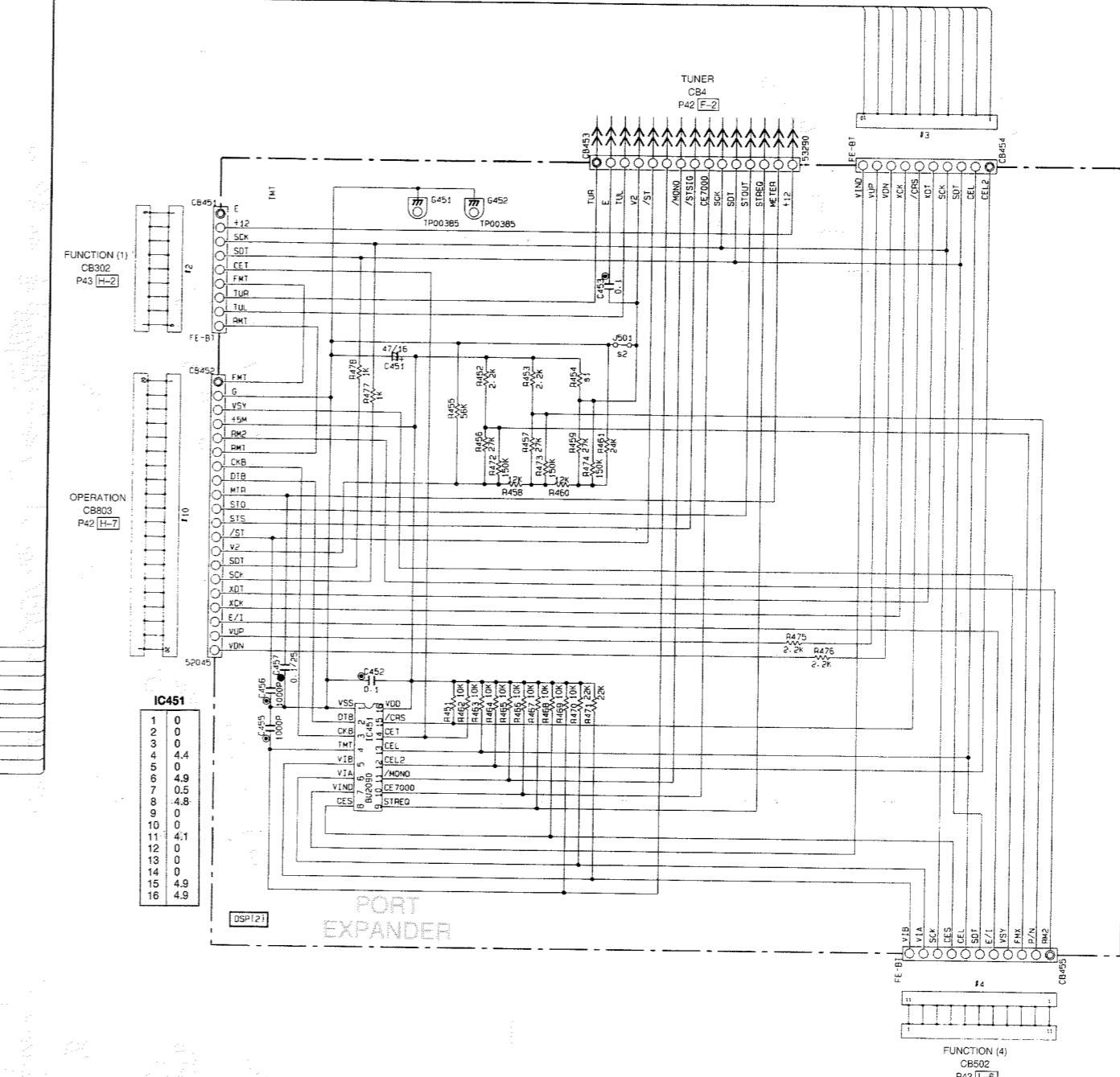
All voltage are measured with a 10M Ω /DC electric volt meter.
 Components having special characteristics are marked Δ and must be replaced with parts having specifications equal to those originally installed.
 Schematic diagram is subject to change without notice.

SCHEMATIC DIAGRAM (DSP)

② : TEST POINT WAVEFORMS (See page 24)

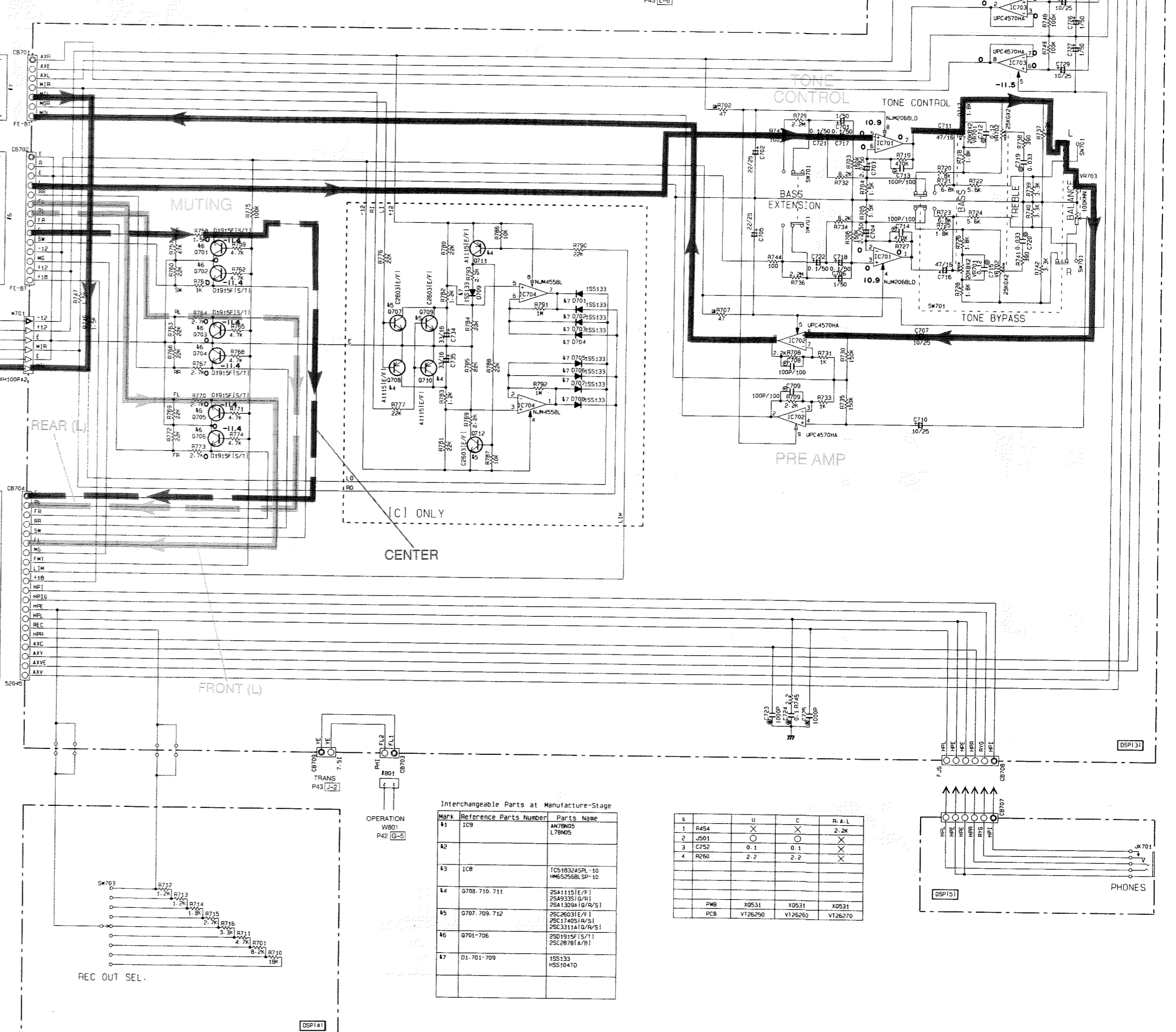
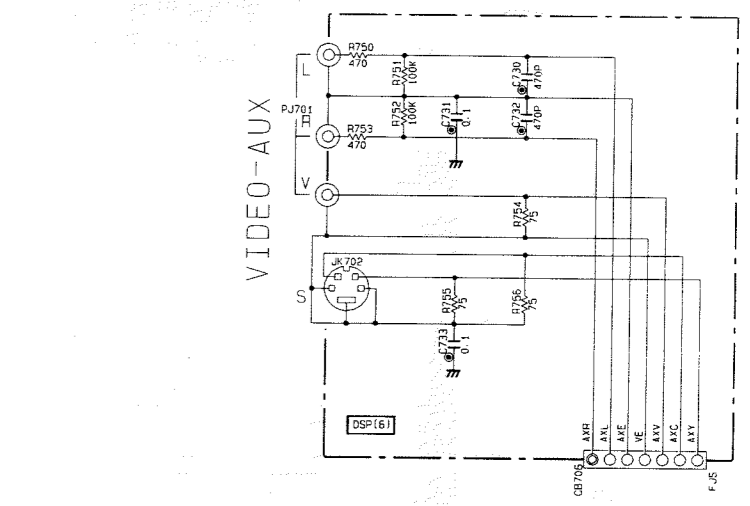


REMARKS	PARTS NAME	REMARKS	PARTS NAME
NO MARK	CARBON FILM RESISTOR (P-15)	NO MARK	ELECTROLYTIC CAPACITOR
⊖	CARBON FILM RESISTOR (P-10)	⊖	ELECTROLYTIC CAPACITOR
⊖	METAL OXIDE FILM RESISTOR	⊖	CERAMIC CAPACITOR
⊖	METAL FILM RESISTOR	⊖	CERAMIC TUBULAR CAPACITOR
⊖	METAL PLATE RESISTOR	⊖	POLYESTER FILM CAPACITOR
⊖	FIRE PROOF CARBON FILM RESISTOR	⊖	POLYSTYRENE FILM CAPACITOR
⊖	CEMENT MOUNTED RESISTOR	⊖	MICA CAPACITOR
⊖	WIRE WOUND RESISTOR	⊖	POLYPROPYLENE FILM CAPACITOR
⊖	TRIMMABLE RESISTOR	⊖	SEMICONDUCTIVE CERAMIC CAPACITOR



CASE	IC301,303 (*)	IC3 (L/R)	IC3 (NOISE DOLBY L/R)	IC3 (FRONT)	IC3 (FRONT)
TAPE MONITOR OFF	ON	11, 12	25, 26	22, 23	22, 24
TAPE MONITOR ON	OFF	ON	OFF	OFF	10, 11
EFFECT OFF	---	---	---	---	---
HIFI DSP PROGRAM (2)	---	---	---	---	---
CINEMA DSP PROGRAM (3)	---	---	---	---	---
DOLBY PRO LOGIC	---	---	---	---	---
CENTER MODE NORMAL	---	---	---	---	---
CENTER MODE WIDE	---	---	---	---	---
TEST DOLBY	OFF	OFF	OFF	ON	ON
TEST DSP	OFF	OFF	OFF	OFF	ON
DIAG. No.2 (FRONT CHECK)	---	---	---	---	---

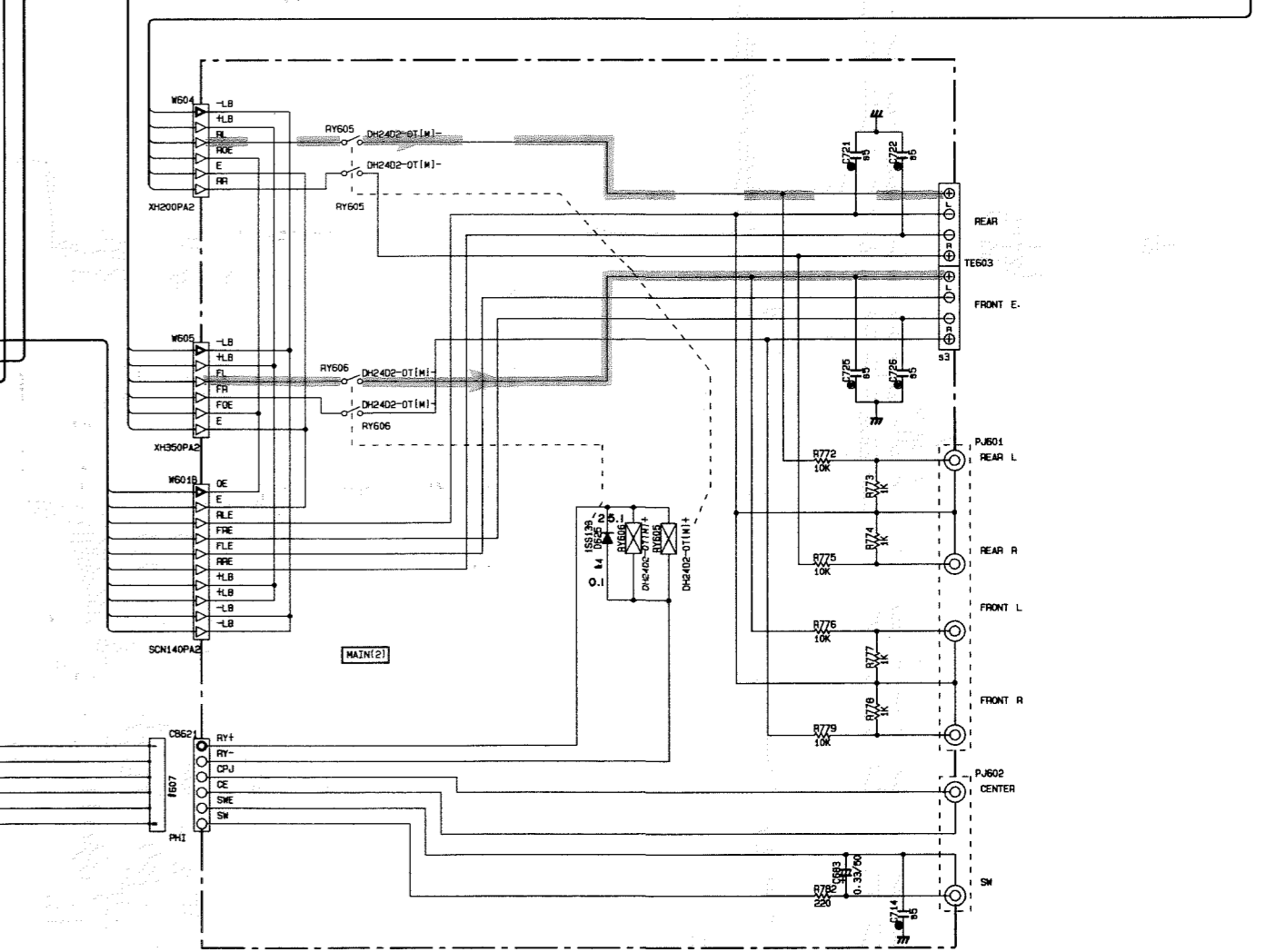
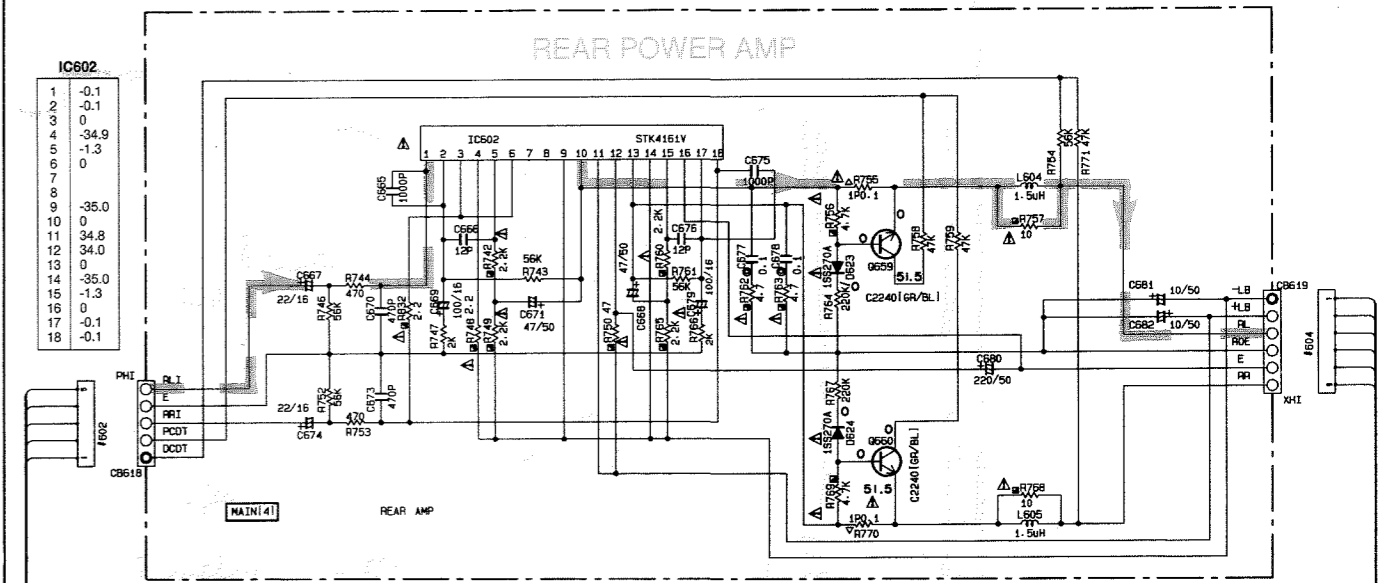
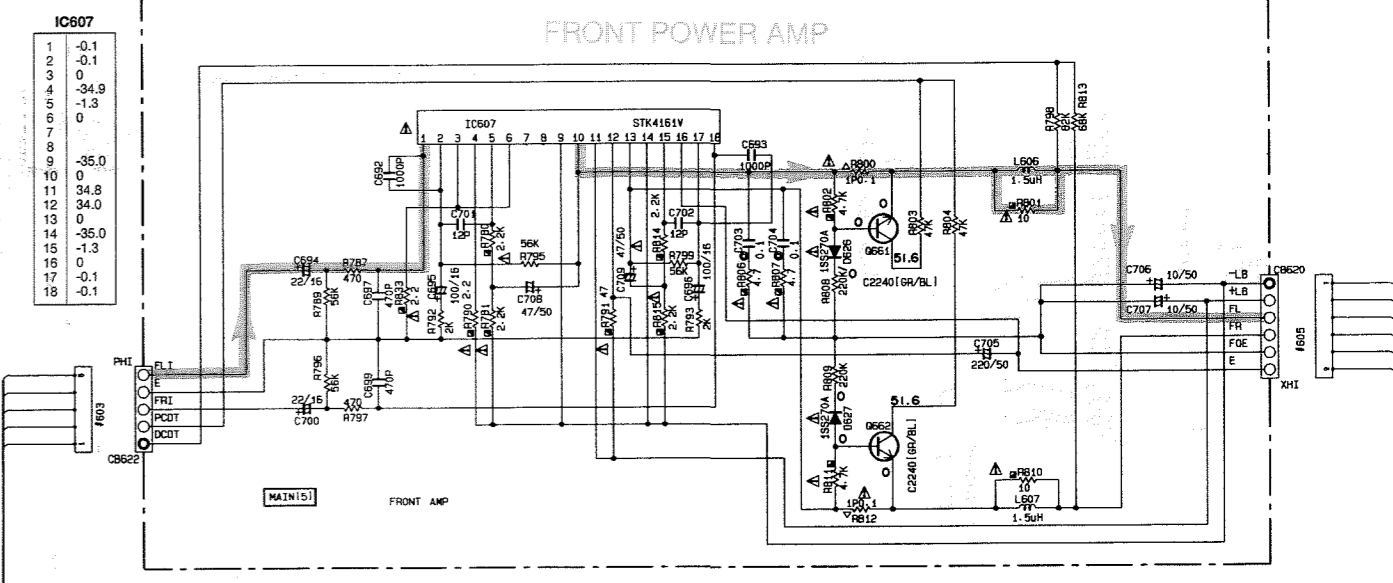
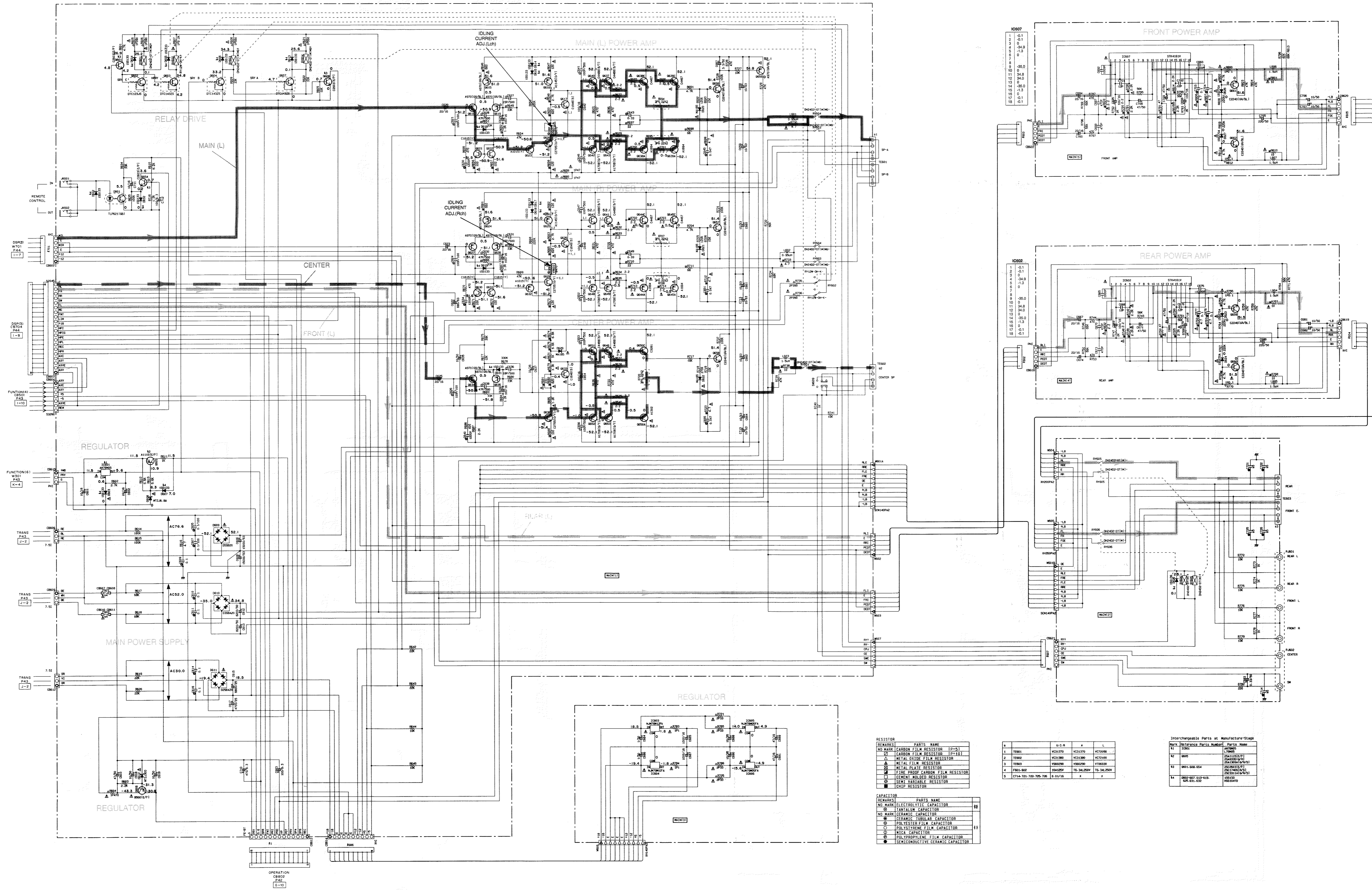
(*) : PC3 FUNCTION (1)
 (2) : CONCERT HALL/CHURCH/JAZZ CLUB/ROCK CONCERT/STADIUM
 (3) : SPORTS/TV THEATER/70mm MOVIE THEATER/ENHANCED
 (4) : FRONT MIX OFF



Part No.	Reference Parts Number	Parts Name
41	ICP	ICP
42	ICR	ICR
43	ICR	ICR
44	ICR	ICR
45	ICR	ICR
46	ICR	ICR
47	ICR	ICR

All voltage are measured with a 10MΩ/DC electric volt meter.
 Components having special characteristics are marked Δ and must be replaced with parts having specifications equal to those originally installed.
 Schematic diagram is subject to change without notice.

■ SCHEMATIC DIAGRAM (MAIN)



RESISTOR

MARKING	PARTS NAME
NO MARK	CARBON FILM RESISTOR (P-S)
□	CARBON FILM RESISTOR (P-10)
○	METAL OXIDE FILM RESISTOR
△	METAL FILM RESISTOR
□	METAL PLATE RESISTOR
■	FILM PROOF CARBON FILM RESISTOR
□	CEMENT MOUNTED RESISTOR
■	SEMI VARIABLE RESISTOR
■	CHIP RESISTOR

CAPACITOR

MARKING	PARTS NAME
NO MARK	ELECTROLYTIC CAPACITOR
□	TANTALUM CAPACITOR
NO MARK	CERAMIC CAPACITOR
○	CERAMIC JUBILAR CAPACITOR
○	POLYESTER FILM CAPACITOR
○	POLYSTYRENE FILM CAPACITOR
○	MYLAR CAPACITOR
○	POLYPROPYLENE FILM CAPACITOR
○	SEMICONDUCTIVE CERAMIC CAPACITOR

NO.	RESISTOR	U.C.B.	A	L
1	TE801	VC3370	VC3370	VC7090
2	TE802	VC3380	VC3380	VC7200
3	TE803	V50200	V50200	V70530
4	FR01-602	SM25H	TE-34L200V	TE-34L200V
5	CT14A-701	705 705 705	80 0U/4K	80 0U/4K

Interchangeable Parts at Manufacture's Stage

NO.	RESISTOR	U.C.B.	A	L
61	IC801	AN5000	LC7000	VC7000
62	8000	SM1115E/71	SM1300E/71	SM1300E/71
63	8001-8004	SM2000E/71	SM2000E/71	SM2000E/71
64	8005-8010	SM2000E/71	SM2000E/71	SM2000E/71

All voltages are measured with a 10MΩ/DC electric volt meter.
 Components having special characteristics are marked Δ and must be replaced with parts having specifications equal to those originally installed.
 Schematic diagram is subject to change without notice.

1

SCHEMATIC DIAGRAM

2

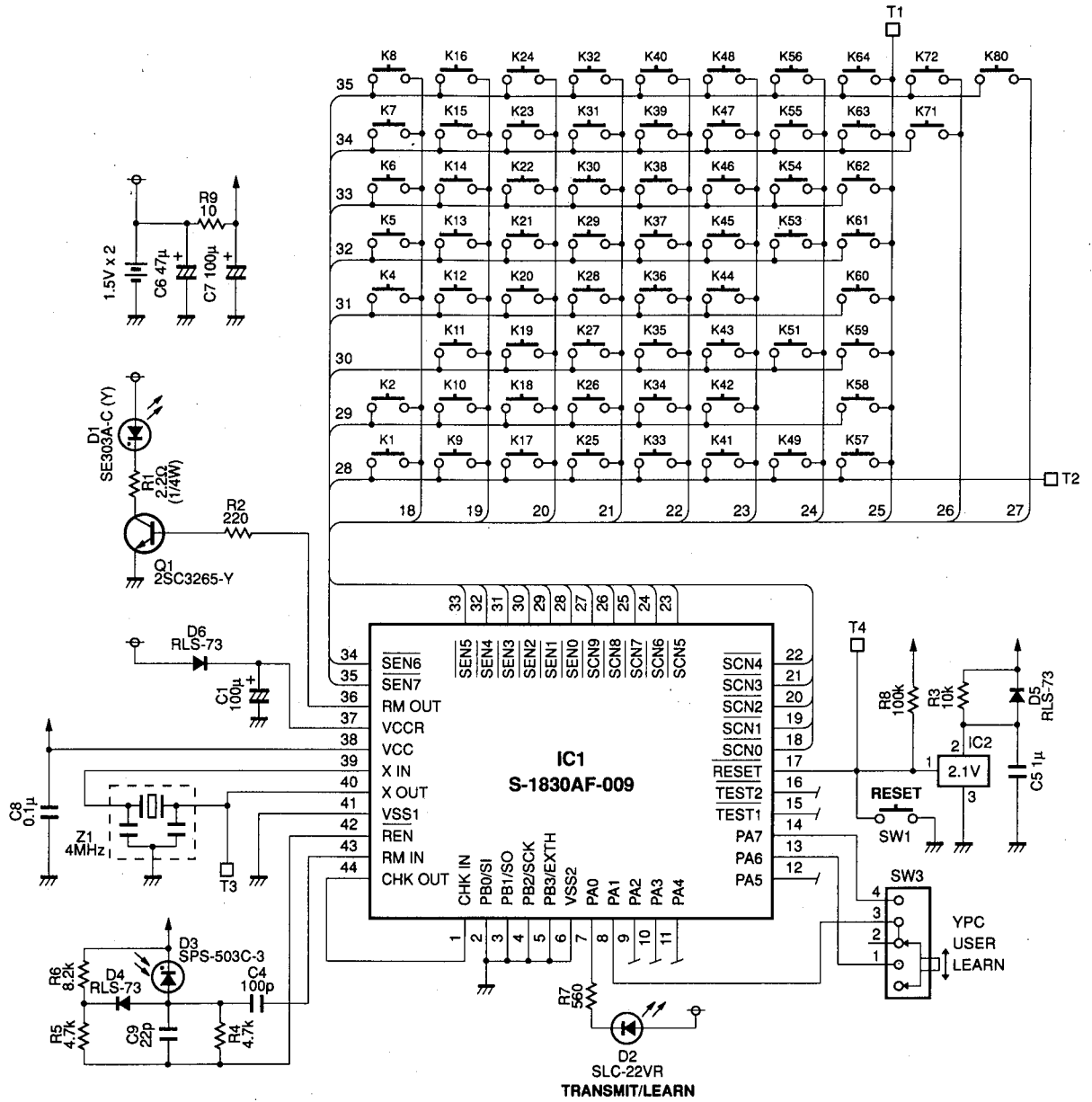
3

4

5

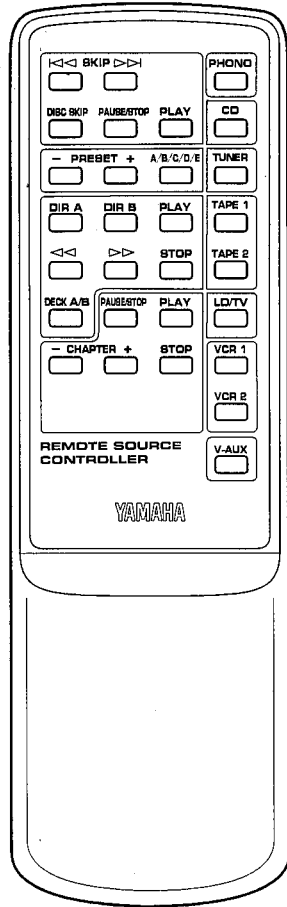
6

7



RX-V2090

REMOTE CONTROL TRANSMITTER



Key No.	Function	CODE (HEX)	
		CUSTOM	DATA
1	CD SKIP ◀◀	7A	0B
2	CD SKIP ▶▶	7A	0A
3	TAPE DECK A/B	7A	06
4	INPUT PHONO	7A	D0
5	CD DISC SKIP	7A	4F
6	CD PAUSE/STOP	7A	09
7	CD PLAY	7A	08
8	INPUT CD	7A	D1
9	TUNER PRESET -	7A	11
10	TUNER PRESET +	7A	10
11	TUNER A/B/C/D/E	7A	12
12	INPUT TUNER	7A	D2
13	TAPE DIR A	7A	07
14	TAPE DIR B	7A	40
15	TAPE PLAY	7A	00
16	INPUT TAPE 1	7A	D3
17	TAPE ◀◀	7A	01
18	TAPE ▶▶	7A	02
19	TAPE STOP	7A	03
20	INPUT TAPE 2	7A	D4
21	INPUT LD/TV	7A	D5
22	INPUT VCR 1	7A	D6
23	INPUT VCR 2	7A	D7
24	INPUT V-AUX	7A	D8
25	LD PAUSE/STOP	7C	04
26	LD PLAY	7C	05
27	LD CHAPTER +	7C	03
28	LD STOP	7C	5B
29	LD CHAPTER -	7C	02

